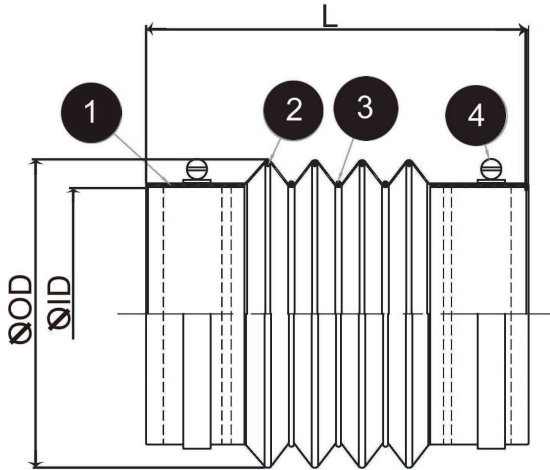


Flexible Duct

JABARA TYPE FABRIC EXPANSION JOINT



MATERIAL TABLE:

| Item | Part Name | Material |
|------|------------|-----------------|
| 1 | Fabric | SILICONE FABRIC |
| 2 | Inner ring | SUS304 |
| 3 | Outer ring | SUS304 |
| 4 | Clamp | SUS304 |

| | |
|----------------------------------|--------------------------|
| Max.Working Temperature : | 249°C |
| Max. Working Pressure: | 0.5 kg/cm ² |
| Application : | Exhaust air, Ambient air |

- Please consult us for available material or application.
- All dimensions are for standard reference which can be adjusted to actual requirement.
- Greater movements are obtained with more convolutions which are designed according to actual requirement.

● SPECIFICATION

| Size | ID | OD | L | Allowable movement | | | Number of Clamp |
|------|-----|-----|-----|--------------------|------------------|------------------|-----------------|
| | | | | Axial Compression | Axial Elongation | Lateral Movement | |
| 50A | 62 | 73 | 140 | 20 | 4 | 5 | 2 |
| 65A | 75 | 88 | 150 | 25 | 4 | 5 | 2 |
| 80A | 91 | 107 | 160 | 30 | 5 | 5 | 2 |
| 100A | 116 | 137 | 180 | 40 | 6 | 10 | 2 |
| 125A | 143 | 169 | 200 | 50 | 8 | 10 | 2 |
| 150A | 170 | 201 | 220 | 60 | 9 | 10 | 2 |
| 200A | 221 | 261 | 250 | 80 | 12 | 15 | 4 |
| 250A | 276 | 235 | 290 | 100 | 15 | 15 | 4 |
| 300A | 327 | 385 | 290 | 100 | 15 | 15 | 4 |
| 350A | 359 | 423 | 310 | 100 | 15 | 15 | 4 |
| 400A | 409 | 483 | 380 | 150 | 23 | 20 | 4 |
| 450A | 460 | 543 | 415 | 150 | 23 | 20 | 4 |
| 500A | 511 | 603 | 400 | 150 | 23 | 20 | 4 |
| 550A | 563 | 664 | 485 | 200 | 30 | 25 | 4 |
| 600A | 614 | 724 | 520 | 200 | 30 | 25 | 4 |
| 650A | 664 | 784 | 520 | 200 | 30 | 25 | 4 |
| 700A | 715 | 844 | 520 | 200 | 30 | 25 | 4 |

TOZEN (THAILAND) CO., LTD.
 3388/62 18TH FLOOR, SIRINRAT BLDG.,
 RAMA IV RD., BANGKOK 10110 THAILAND
 TEL : (66) 0-2367-5721-8
 FAX : (66) 0-2367-5729, 0-2367-5066
 E-MAIL : sales@tt.tozen.com
 URL : www.tozen.co.th

TOZEN CORPORATION
 8-4, ASAHI YOSHIKAWA
 SAITAMA 342-008 JAPAN
 TEL : 048-993-1030
 FAX : 048-993-1038