

# VALVE

for General Application

---

## BRASS & BRONZE VALVE



## DZR BRASS GATE VALVE

### SPECIFICATION

BS 5154, EN 12288  
SCREWED-IN BONNET • SOLID WEDGE DISC  
NON-RISING STEM • INTEGRAL SEAT • ASBESTOS FREE  
THREADED TO BS 21 (ISO 7) / ASME B1.20.1 OR NPT

### PRESSURE RATINGS

Working Pressure	20 bar C.W.P 9 bar at 180°C
Testing Pressure	Shell : 30 bar Hydrostatic Seat : 22 bar Hydrostatic or 6 bar Air
Working Temperature	-10°C ~ 180°C
Suitable Media	Water & Oil

### MATERIALS

Part	Material	BS EN
Body	DZR Brass	12165 CW602N
Bonnet	DZR Brass	12165 CW602N
Disc	DZR Brass	12165 CW602N
Stem	DZR Brass	12165 CW602N
Packing	PTFE	
Packing Nut	Brass	12165 CW602N
Gland	Brass	12165 CW602N
Handwheel	Aluminium	

### DIMENSIONS

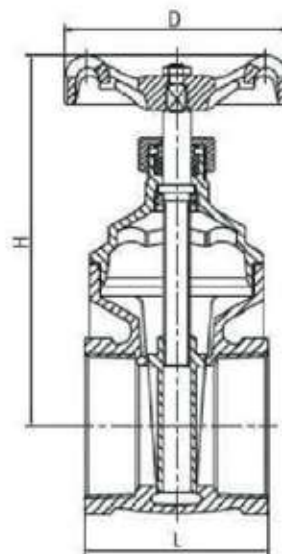
Size		L		H		D	
mm	inch	mm	inch	mm	inch	mm	inch
15	½	48.0	1.9	70.0	2.8	50.0	2.0
20	¾	50.5	2.0	81.0	3.2	60.0	2.4
25	1	58.0	2.3	98.5	3.9	70.0	2.8
32	1¼	63.5	2.5	118.5	4.7	80.0	3.2
40	1½	67.5	2.7	129.5	5.1	90.0	3.5
50	2	73.0	2.9	164.5	6.5	100.0	4.0

Note :

- Design and specifications are subject to change without prior notice.

**D-BGV**

**PN 20**



## BRONZE GATE VALVE

### SPECIFICATION

MSS SP-80  
SCREWED-IN BONNET • SOLID WEDGE DISC  
NON-RISING STEM • INTEGRAL SEAT • ASBESTOS FREE  
THREADED TO BS 21 (ISO 7) / ASME B1.20.1 OR NPT

### PRESSURE RATINGS

Working Pressure	25 bar C.W.P 10.3 bar Saturated Steam
Testing Pressure	Shell : 37.5 bar Hydrostatic Seat : 27.5 bar Hydrostatic 80psi (5.5 bar) Air
Working Temperature	-10°C ~ 180°C
Suitable Media	Water & Oil

### MATERIALS

Part	Material	ASTM
Body	Bronze	C83600
Bonnet	Bronze (for size 15A~25A) Brass (for size 32A~100A)	C83600 C37700
Disc	Bronze	C83600
Stem	Brass	C37700
Packing	PTFT	
Packing Nut	Brass	C36000
Gland	Brass	C36000
Handwheel	Aluminium	

### DIMENSIONS

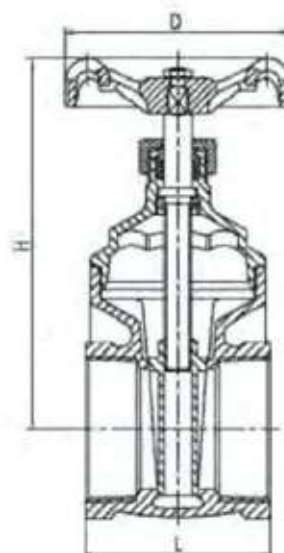
Size		L		H		D	
mm	inch	mm	inch	mm	inch	mm	inch
15	½	48.0	1.9	72.5	2.9	60.0	2.4
20	¾	50.5	2.0	84.5	3.2	70.0	2.8
25	1	59.5	2.3	99.0	3.9	70.0	2.8
32	1¼	65.5	2.6	117.0	4.6	80.0	3.2
40	1½	70.5	2.8	131.0	5.2	90.0	3.5
50	2	75.0	2.9	164.0	6.5	100.0	4.0

Note :

- Design and specifications are subject to change without prior notice.

**GGV**

**Class 150**



## BRONZE GATE VALVE

### SPECIFICATION

MSS SP-80  
SCREWED-IN BONNET • SOLID WEDGE DISC  
RISIND STEM • INTEGRAL SEAT • ASBESTOS FREE  
THREADED TO BS 21 (ISO 7) / ASME B1.20.1 OR NPT

### PRESSURE RATINGS

Working Pressure	300 psi (20.7 bar) C.W.P 150 psi (10.3 bar) Saturated Steam
Testing Pressure	Shell : 450 psi (31 bar) Hydrostatic Seat : 330 psi (22.7 bar) Hydrostatic 80psi (5.5 bar) Air
Working Temperature	-10°C ~ 180°C
Suitable Media	Water & Oil

### MATERIALS

Part	Material	ASTM
Body	Bronze	C83600
Bonnet	Bronze	C83600
Disc	Bronze	C83600
Stem	Brass	C37700
Packing	PTFE	
Packing Nut	Brass	C37700
Gland	Brass	C37700
Handwheel	Aluminium	

### DIMENSIONS

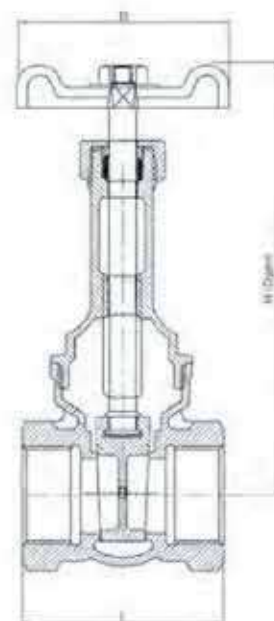
Size		L		H		D	
mm	inch	mm	inch	mm	inch	mm	inch
15	½	48.0	1.9	100.5	4.0	51.0	2.0
20	¾	50.5	2.0	124.5	4.9	64.0	2.5
25	1	59.5	2.3	147.5	5.8	67.0	2.6
32	1¼	65.5	2.6	168.0	6.6	76.0	3.0
40	1½	68.5	2.7	188.5	7.4	89.0	3.5
50	2	75.0	2.9	233.0	9.2	102.0	4.0

Note :

- Design and specifications are subject to change without prior notice.

## R-GGV

### Class 150



## BRONZE Y TYPE STRAINER

### SPECIFICATION

Y-PATTERN BODY • SCREWED CAP  
STAINLESS STEEL SCREEN • ASBESTOS FREE  
THREADED TO BS 21 (ISO 7) / ASME B1.20.1 OR NPT

### PRESSURE / TEMPERATURE RATINGS

Working Pressure	25 bar C.W.P 10.3 bar Saturared Stream
Testing Pressure	37.5 bar Hydrostatic 80psi (5.5 bar) Air
Working Temperature	-10°C ~ 180°C
Suitable Media	Water & Oil

### MATERIALS

Part	Material	ASTM
Body	Bronze (Gunmetal)	B62 C83600
Cap	Bronze (Gunmetal)	B62 C83600
Screen	Stainless Steel	AISI 304
Gasket	Non-Asbestos Sheet	

### STANDARD SCREENS

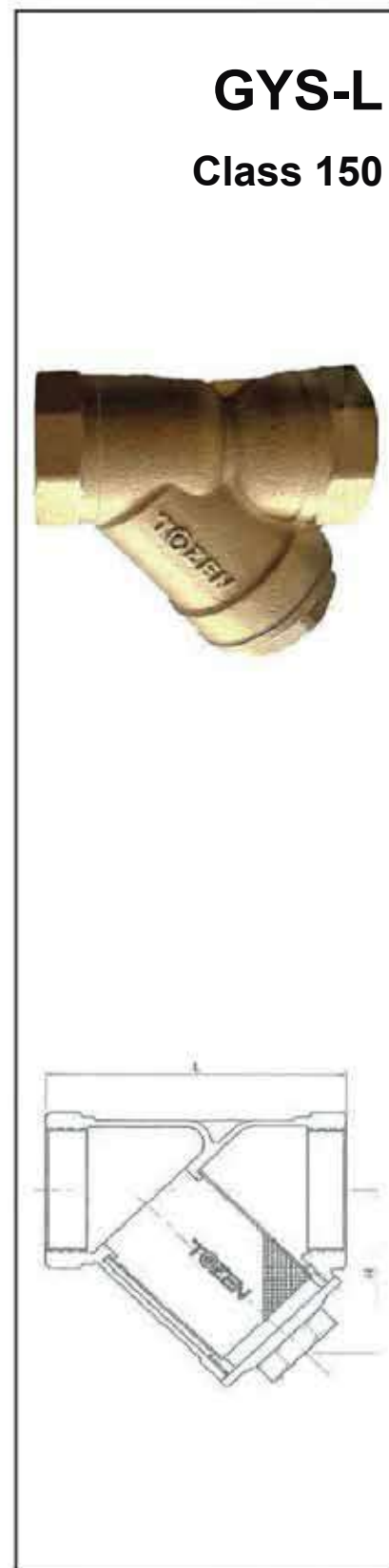
Size		Hole Diameter		Opening
mm	inch	mm	inch	(%)
15 ~ 50	½ ~ 2	1.31 x 0.76	0.05 x 0.03	35

### DIMENSIONS

Size		L		H	
mm	inch	mm	inch	mm	inch
15	½	52.0	2.0	40.5	1.6
20	¾	66.5	2.6	48.0	1.9
25	1	81.5	3.2	57.0	2.2
32	1¼	93.0	3.7	73.6	2.9
40	1½	108.0	4.3	76.0	3.0
50	2	125.0	4.9	94.0	3.7

Note :

- Design and specifications are subject to change without prior notice.



## DZR BRASS Y TYPE STRAINER

### SPECIFICATION

Y-PATTERN BODY • SCREWED CAP  
STAINLESS STEEL SCREEN • ASBESTOS FREE  
THREADED TO BS 21 (ISO 7) / ASME B1.20.1 OR NPT

### PRESSURE / TEMPERATURE RATINGS

Working Pressure	20 bar C.W.P
Testing Pressure	30 bar Hydrostatic 6 bar Air
Working Temperature	-10°C ~ 180°C
Suitable Media	Water & Oil

### MATERIALS

Part	Material	ASTM
Body	DZR Brass	B62 C35330
Cap	DZR Brass	B62 C35330
Screen	Stainless Steel	AISI 304
Gasket	Non-Asbestos Sheet	

### STANDARD SCREENS

Size		Hole Diameter		Opening
mm	inch	mm	inch	(%)
15 ~ 50	½ ~ 2	1.31 x 0.76	0.05 x 0.03	35

### DIMENSIONS

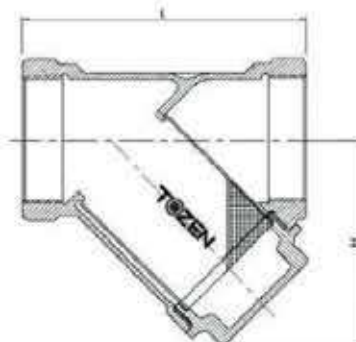
Size		L		H	
mm	inch	mm	inch	mm	inch
15	½	52.0	2.0	40.5	1.6
20	¾	66.5	2.6	48.0	1.9
25	1	81.5	3.2	57.0	2.2
32	1¼	93.0	3.7	73.6	2.9
40	1½	108.0	4.3	76.0	3.0
50	2	125.0	4.9	94.0	3.7

Note :

- Design and specifications are subject to change without prior notice.

**D-BYS**

**Class 150**



## BRONZE BALL VALVE

### SPECIFICATION

MSS SP-110  
SCREWED BODY CAP • FULL BORE  
BLOW-OUT PROOF STEM • PTFE SEAT  
THREADED TO BS 21 (ISO 7) / ASME B1.20.1 OR NPT

### PRESSURE RATINGS

Working Pressure	42 bar C.W.P 10.3 bar @ 186°C
Testing Pressure	Shell : 62 bar Hydrostatic Seat : 45.5 bar Hydrostatic 80psi (5.5 bar) Air
Working Temperature	-10°C ~ 180°C
Suitable Media	Water & Oil

### MATERIALS

Part	Material	ASTM
Body	Bronze (Gunmetal)	C83600
Cap	Bronze (Gunmetal)	C83600
Ball	Hard Chromed Brass	C37700
Seat	PTFE	
Stem	Brass	C37700
Seal	PTFE	
Gland	Brass	C36000
Handle	Steel	

### DIMENSIONS

Size		L		H		D	
mm	inch	mm	inch	mm	inch	mm	inch
10	3/8	45.8	1.8	49.0	1.9	87.0	3.4
15	1/2	54.4	2.1	49.0	1.9	96.0	3.8
20	3/4	62.8	2.5	53.0	2.1	96.0	3.8
25	1	77.0	3.0	66.5	2.6	127.0	5.0
32	1-1/4	85.6	3.4	72.5	2.9	127.0	5.0
40	1-1/2	94.1	3.7	79.0	3.1	142.0	5.6
50	2	110.8	4.4	88.5	3.5	165.0	6.5

Note :

- Design and specifications are subject to change without prior notice.



## BRONZE SWING CHECK VALVE

### SPECIFICATION

MSS SP-80  
SCREWED CAP • SWING TYPE DISC • INTEGRAL SEAT  
THREADED TO BS 21 (ISO 7) / ASME B1.20.1 OR NPT

### PRESSURE RATINGS

Working Pressure	300 psi (20.7 bar) C.W.P. 150 psi (10.3 bar) Saturated Steam
Testing Pressure	Shell: 450 psi (31 bar) Hydrostatic Seat: 330 psi (22.7 bar) Hydrostatic 80psi (5.5 bar) Air
Working Temperature	-10°C ~ 180°C
Suitable Media	Water & Oil

### MATERIALS

Part	Material	ASTM
Body	Bronze	C83600
Cap	Bronze	C83600
Disc	Bronze	C83600
Hanger	Bronze	C83600
Disc Nut	Brass	C36000
Plug Nut	Brass	C36000

### DIMENSIONS

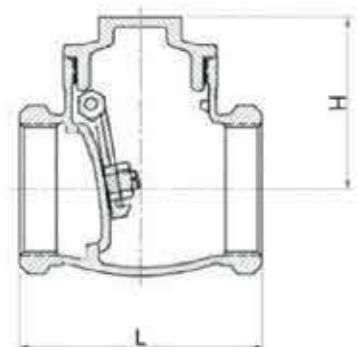
Size		L		H	
mm	Inch	mm	Inch	mm	Inch
15	½	48.5	1.9	30.5	1.2
20	¾	55.5	2.2	38.5	1.5
25	1	71.5	2.8	43.5	1.7
32	1¼	82.2	3.2	51.0	2.0
40	1½	88.5	3.5	60.5	2.4
50	2	109.0	4.3	76.5	3.0

**Note:**

1. Design and specifications are subject to change without prior notice.

**GSCV**

**Class 150**



## BRONZE GLOBE VALVE

### SPECIFICATION

MSS SP-80  
SCREWED-IN BONNET • AWIVEL DISC  
RISING STEM • ASBESTOS FREE  
THREADED TO BS 21 (ISO 7) / ASME B1.20.1  
SIZE RANGE : 15 MM(1/2") - 50 mm(2")

### PRESSURE RATINGS

Working Pressure	300 psi (20.7 bar) WOG Non-Shock 150 psi (10.3 bar) Saturated Steam
Testing Pressure	Shell: 450 psi (31 bar) Hydrostatic Seat: 330 psi (22.7 bar) Hydrostatic 80 psi (5.5 bar) Air

### MATERIALS

Part	Material	ASTM	BS
Body	Bronze (Gunmetal)	B62 C83600	1400 LG2
Bonnet	Bronze (Gunmetal)	B62 C83600	1400 LG2
Disc	Bronze (Gunmetal)	B62 C83600	1400 LG2
Stem	Brass Rod	B124 C38800	2874 CZ122
Packing	PTFE		
Packing Nut	Brass Rod	B124 C38800	2874 CZ122
Gland	Brass Rod	B124 C38800	2874 CZ122
Handwheel	Case Iron	A48 No.35	1452 Gr.260

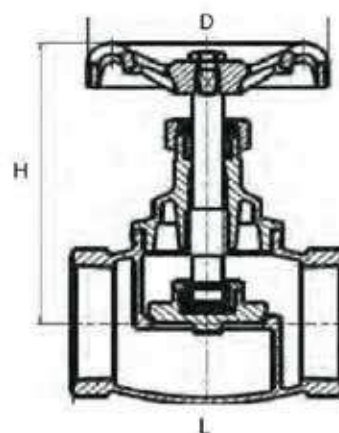
### DIMENSIONS

Size		L		H		D	
mm	inch	mm	inch	mm	inch	mm	inch
15	1/2	52	2.0	70	2.8	60	2.4
20	3/4	63	2.5	82	3.2	65	2.6
25	1	76	3.0	92	3.6	70	2.8
32	1-1/4	84	3.3	108	4.3	78	3.1
40	1-1/2	98	3.9	120	4.7	92	3.6
50	2	116	4.6	140	5.5	103	4.1

Note :

1. If used for gas application, please consult our sales office.
2. Design and specifications are subject to change without prior notice.

## GGLV Class 150





---

**TOZEN INDUSTRIAL CO., LTD.**

3388/62 18TH FLOOR, SIRINRAT BLDG.,  
RAMA IV Rd., BANGKOK 10110 THAILAND  
TEL : (66) 2-0290100  
FAX : (66) 2-0290111  
E-MAIL : [sales@tt.tozen.com](mailto:sales@tt.tozen.com)  
URL : [www.tozen.co.th](http://www.tozen.co.th)

**TOZEN CORPORATION**

8-4, ASAHI YOSHIKAWA  
SAITAMA 342-008 JAPAN  
TEL : 048-993-1030  
FAX : 048-993-1038