

BOOSTER PUMP SET

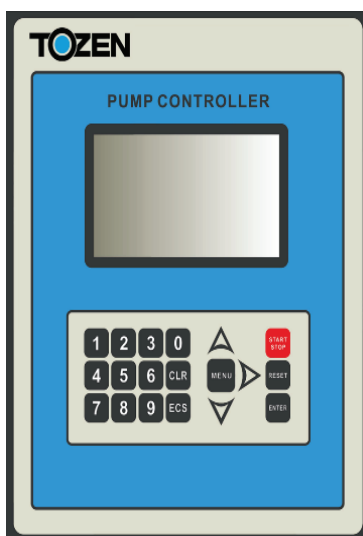


TOZEN BOOSTER SYSTEM

The series of intelligent pressure boosting system TBS is developed based on PID control technology to control the pump pressure within a certain range according to the water consumption with features of complete functions, reliable quality, stable operation and easy maintenance.



Drives Control Tozen Controller



- Additional energy savings with energy optimizer function.
- Stable process with smooth and continuous flow and pressure control.
- Adjustable accel/decel ramps to improve pump control.
- Minimized downtime with robust and reliable design.

Features

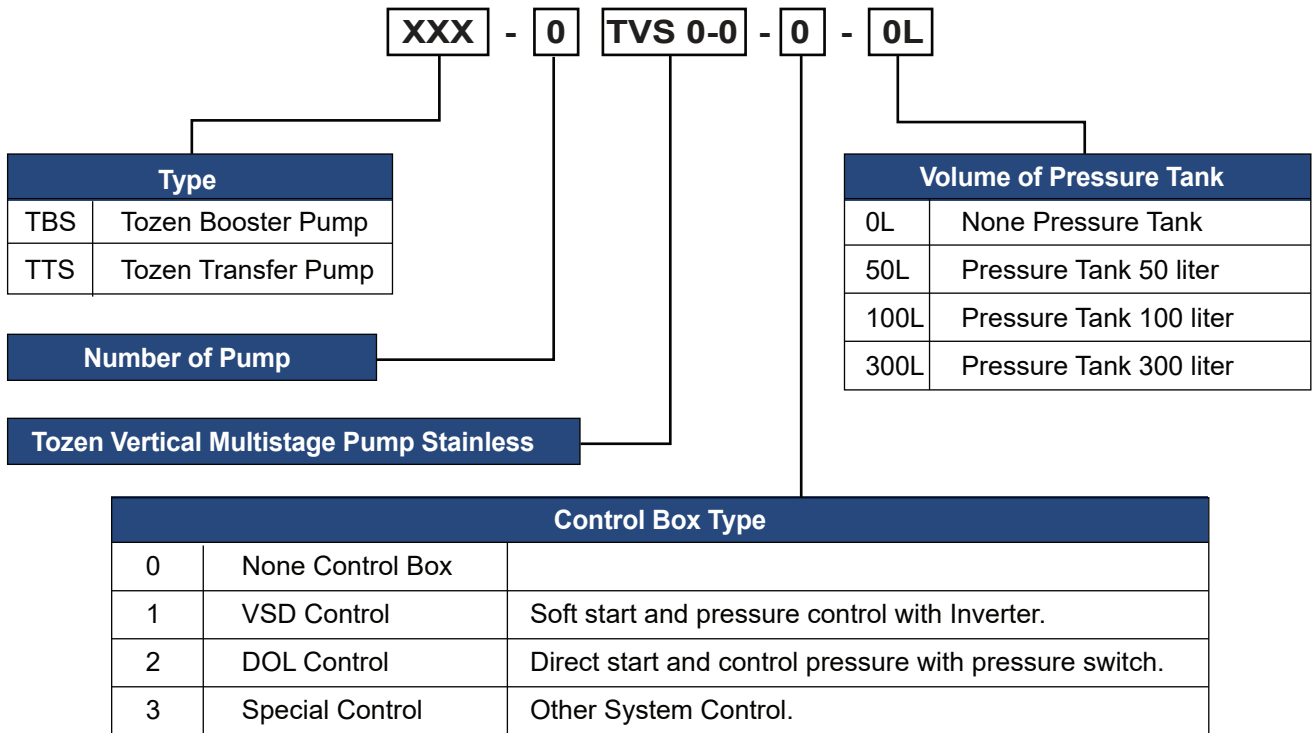
PID Control

- Built-in and stand-alone process PID that requires no external logic input but requires only an external process measurement.
- Soft start Main Pump and Sub Pump.

Pump Control

- The pump control functionality includes Auto-Change and control of auxiliary pump with contractor via relay outputs.

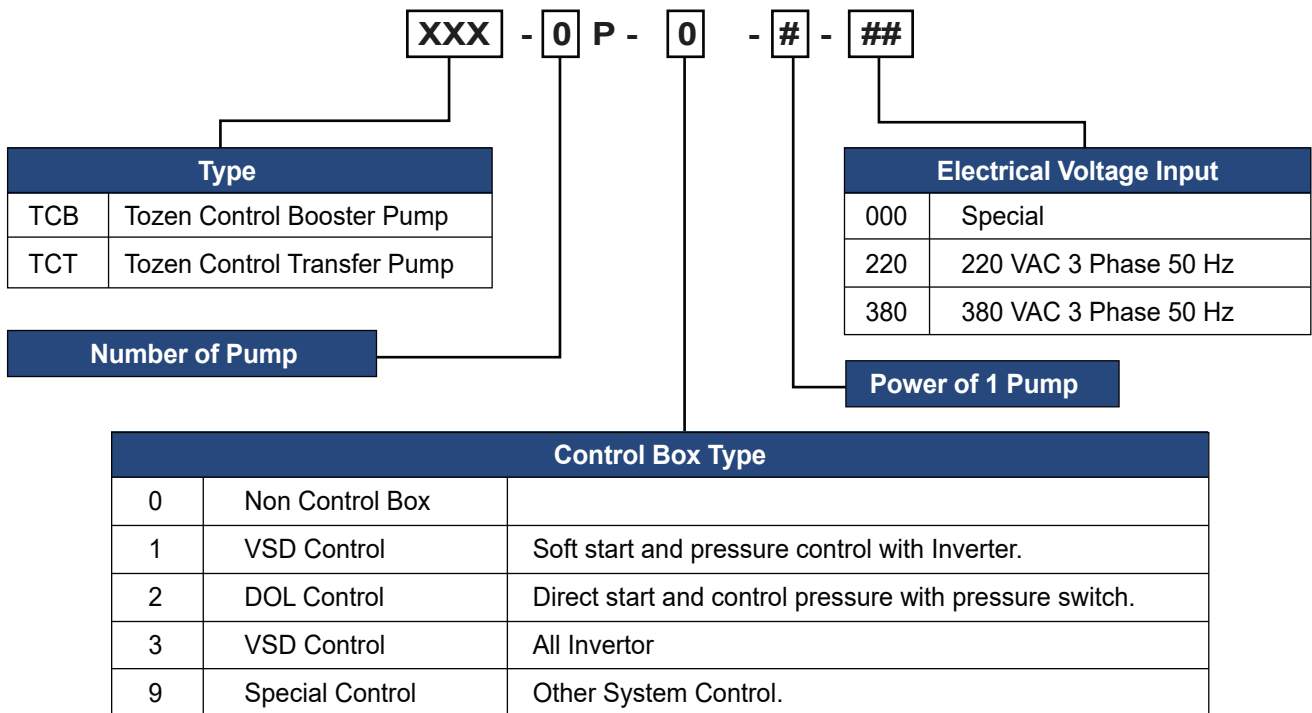
Tozen Booster Pump Set



Example Product Model

- | |
|---|
| <p><u>TBS - 2 TVS5-5 - 2 - 100L</u>
 - Tozen Booster Pump Set
 - 2 Pump (Pump Model : TVS5-5)
 - DOL Control System
 - 100 liter of Pressure Tank</p> |
| <p><u>TBS - 3 TVS20-10 - 1 - 200L</u>
 - Tozen Booster Pump Set
 - 3 Pump (Pump Model : TVS20-10)
 - VSD Control System
 - 200 liter of Pressure Tank</p> |
| <p><u>TBS - 4 TVS32-5-2 - 2 - 200L</u>
 - Tozen Booster Pump Set
 - 4 Pump (Pump Model : TVS32-5-2)
 - DOL Control System
 - 200 liter of Pressure Tank</p> |
| <p><u>TTS - 3 TVS10-4 - 0 - 0L</u>
 - Tozen Transfer Pump Set
 - 3 Pump (Pump Model : TVS10-4)
 - None Control System
 - None Pressure Tank</p> |

Tozen Control Box



Example Product Model

TCB - 2P - 1 - 0.37 - 380
 - Tozen Control Booster Pump
 - Control 2 Pump
 - Pump Power 0.37 kW/Pump
 - VSD Control System
 - Electrical Voltage Input 380 VAC 3 Phase 50 Hz

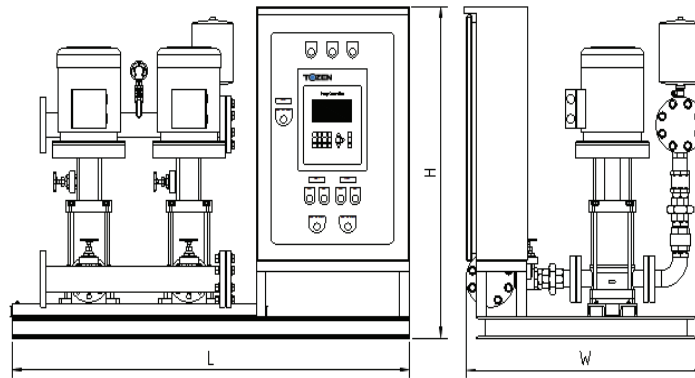
TCB - 3P - 1 - 1.5 - 380
 - Tozen Control Booster Pump
 - Control 3 Pump
 - Pump Power 1.5 kW/Pump
 - VSD Control System
 - Electrical Voltage Input 380 VAC 3 Phase 50 Hz

TCB - 4P - 2 - 2.2 - 380
 - Tozen Control Booster Pump
 - Control 4 Pump
 - Pump Power 2.2 kW/Pump
 - DOL Control System
 - Electrical Voltage Input 380 VAC 3 Phase 50 Hz

TCT - 5P - 2 - 0.37 - 380
 - Tozen Control Booster Pump
 - Control 5 Pump
 - Pump Power 0.37 kW/Pump
 - DOL Control System
 - Electrical Voltage Input 380 VAC 3 Phase 50 Hz

TOZEN Booster System

TBS - 2 TVS0-0 - 1 - 8L



TVS1

Model	Head	System Flow (m ³ /hr)		Control Box Code	Pressure Tank		Header Pipe Size (mm)	Product Dimension		
		1.6	4		Volume (literxbar)	Ø x H (mm)		L	W	H
TBS - 2 TVS1-2 - 1 - 8L	H(m)	12	10	TCB - 2P - 1 - 0.37 - 380	8x10	330x200	25-2-40	1450	1100	1250
TBS - 2 TVS1-3 - 1 - 8L		18	14							
TBS - 2 TVS1-4 - 1 - 8L		24	18							
TBS - 2 TVS1-5 - 1 - 8L		30	22							
TBS - 2 TVS1-6 - 1 - 8L		35	25							
TBS - 2 TVS1-7 - 1 - 8L		41	30							
TBS - 2 TVS1-8 - 1 - 8L		47	34	TCB - 2P - 1 - 0.55 - 380						
TBS - 2 TVS1-9 - 1 - 8L		53	37							
TBS - 2 TVS1-10 - 1 - 8L		58	41							
TBS - 2 TVS1-11 - 1 - 8L		64	45	TCB - 2P - 1 - 0.75 - 380						
TBS - 2 TVS1-12 - 1 - 8L		71	50							
TBS - 2 TVS1-13 - 1 - 8L		77	54							

TVS3

Model	Head	System Flow (m ³ /hr)		Control Box Code	Pressure Tank		Header Pipe Size (mm)	Product Dimension		
		3.2	8		Volume (literxbar)	Ø x H (mm)		L	W	H
TBS - 2 TVS3-2 - 1 - 8L	H(m)	12	7.5	TCB - 2P - 1 - 0.37 - 380	8x10	330x200	25-2-50	1450	1100	1250
TBS - 2 TVS3-3 - 1 - 8L		19	12							
TBS - 2 TVS3-4 - 1 - 8L		24	14							
TBS - 2 TVS3-5 - 1 - 8L		31	17							
TBS - 2 TVS3-6 - 1 - 8L		37	21	TCB - 2P - 1 - 0.55 - 380						
TBS - 2 TVS3-7 - 1 - 8L		43	24							
TBS - 2 TVS3-8 - 1 - 8L		51	28							
TBS - 2 TVS3-9 - 1 - 8L		56	30	TCB - 2P - 1 - 0.75 - 380						
TBS - 2 TVS3-10 - 1 - 8L		62	33							

TVS5

Model	Head	System Flow (m ³ /hr)		Control Box Code	Pressure Tank		Header Pipe Size (mm)	Product Dimension		
		8	14		Volume (literxbar)	Ø x H (mm)		L	W	H
TBS - 2 TVS5-2 - 1 - 8L	H(m)	10	6	TCB - 2P - 1 - 0.37 - 380	8x10	330x200	32-2-65	1450	1200	1250
TBS - 2 TVS5-3 - 1 - 8L		16	10	TCB - 2P - 1 - 0.55 - 380						
TBS - 2 TVS5-4 - 1 - 8L		22	14							
TBS - 2 TVS5-5 - 1 - 8L		28	18	TCB - 2P - 1 - 0.75 - 380						
TBS - 2 TVS5-6 - 1 - 8L		34	23	TCB - 2P - 1 - 1.1 - 380						
TBS - 2 TVS5-7 - 1 - 8L		40	17							
TBS - 2 TVS5-8 - 1 - 8L		45	31							
TBS - 2 TVS5-9 - 1 - 8L		53	37	TCB - 2P - 1 - 1.5 - 380						
TBS - 2 TVS5-10 - 1 - 8L		59	41							
TBS - 2 TVS5-11 - 1 - 8L		66	47							
TBS - 2 TVS5-12 - 1 - 8L		72	51	TCB - 2P - 1 - 2.2 - 380						

TVS10

Model	Head	System Flow (m ³ /hr)		Control Box Code	Pressure Tank		Header Pipe Size (mm)	Product Dimension		
		12	24		Volume (literxbar)	Ø x H (mm)		L	W	H
TBS - 2 TVS10-1 - 1 - 8L	H(m)	9	5	TCB - 2P - 1 - 0.37 - 380	8x10	330x200	40-2-80	1450	1200	1250
TBS - 2 TVS10-2 - 1 - 8L		19	12	TCB - 2P - 1 - 0.75 - 380						
TBS - 2 TVS10-3 - 1 - 8L		29	18	TCB - 2P - 1 - 1.1 - 380						
TBS - 2 TVS10-4 - 1 - 8L		40	26	TCB - 2P - 1 - 1.5 - 380						
TBS - 2 TVS10-5 - 1 - 8L		50	33	TCB - 2P - 1 - 2.2 - 380						
TBS - 2 TVS10-6 - 1 - 8L		59	39							
TBS - 2 TVS10-7 - 1 - 8L		70	46	TCB - 2P - 1 - 3.0 - 380						
TBS - 2 TVS10-8 - 1 - 8L		80	53							
TBS - 2 TVS10-9 - 1 - 8L		89	59	TCB - 2P - 1 - 4.0 - 380						
TBS - 2 TVS10-10 - 1 - 8L		100	66							
TBS - 2 TVS10-12 - 1 - 8L		119	79							

TVS15

Model	Head	System Flow (m ³ /hr)		Control Box Code	Pressure Tank		Header Pipe Size (mm)	Product Dimension		
		24	42		Volume (literxbar)	Ø x H (mm)		L	W	H
TBS - 2 TVS15-1 - 1 - 8L	H(m)	12	9	TCB - 2P - 1 - 1.1 - 380	8x10	330x200	50-2-100	1450	1200	1250
TBS - 2 TVS15-2 - 1 - 8L		25	18	TCB - 2P - 1 - 2.2 - 380						
TBS - 2 TVS15-3 - 1 - 8L		38	28	TCB - 2P - 1 - 3.0 - 380						
TBS - 2 TVS15-4 - 1 - 8L		51	38	TCB - 2P - 1 - 4.0 - 380						
TBS - 2 TVS15-5 - 1 - 8L		64	48							
TBS - 2 TVS15-6 - 1 - 8L		77	58	TCB - 2P - 1 - 5.5 - 380						

TVS20

Model	Head	System Flow (m ³ /hr)		Control Box Code	Pressure Tank		Header Pipe Size (mm)	Product Dimension		
		32	56		Volume (literxbar)	Ø x H (mm)		L	W	H
TBS - 2 TVS20-1 - 1 - 8L	H(m)	12	6.5	TCB - 2P - 1 - 1.1 - 380	8x10	330x200	50-2-125	1450	1300	1250
TBS - 2 TVS20-2 - 1 - 8L		25	15	TCB - 2P - 1 - 2.2 - 380						
TBS - 2 TVS20-3 - 1 - 8L		39	23	TCB - 2P - 1 - 4.0 - 380						
TBS - 2 TVS20-4 - 1 - 8L		53	32	TCB - 2P - 1 - 5.5 - 380						
TBS - 2 TVS20-5 - 1 - 8L		66	40							
TBS - 2 TVS20-6 - 1 - 8L		80	49	TCB - 2P - 1 - 7.5 - 380						

TVS32

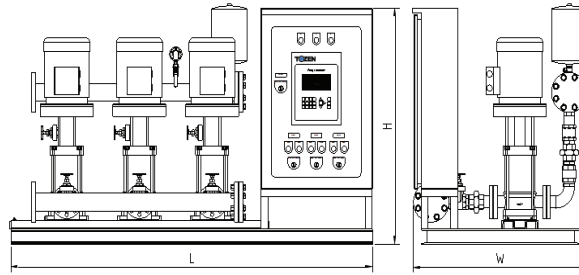
Model	Head	System Flow (m ³ /hr)		Control Box Code	Pressure Tank		Header Pipe Size (mm)	Product Dimension		
		50	80		Volume (literxbar)	Ø x H (mm)		L	W	H
TBS - 2 TVS32-1-1 - 1 - 8L	H(m)	13	5	TCB - 2P - 1 - 1.5 - 380	8x10	330x200	65-2-150	1450	1300	1250
TBS - 2 TVS32-1 - 1 - 8L		16	9	TCB - 2P - 1 - 2.2 - 380						
TBS - 2 TVS32-2-2 - 1 - 8L		26.5	12	TCB - 2P - 1 - 3.0 - 380						
TBS - 2 TVS32-2 - 1 - 8L		32.5	19.5	TCB - 2P - 1 - 4.0 - 380						
TBS - 2 TVS32-3-2 - 1 - 8L		43.5	22.5							
TBS - 2 TVS32-3 - 1 - 8L		49	29.5	TCB - 2P - 1 - 5.5 - 380						
TBS - 2 TVS32-4-2 - 1 - 8L		60	32.5							
TBS - 2 TVS32-4 - 1 - 8L		66	40							

TVS45

Model	Head	System Flow (m ³ /hr)		Control Box Code	Pressure Tank		Header Pipe Size (mm)	Product Dimension		
		80	110		Volume (literxbar)	Ø x H (mm)		L	W	H
TBS - 2 TVS45-1-1 - 1 - 8L	H(m)	17	10.5	TCB - 2P - 1 - 3.0 - 380	8x10	330x200	80-2-200	1560	1400	1250
TBS - 2 TVS45-1 - 1 - 8L		20.5	15	TCB - 2P - 1 - 4.0 - 380						
TBS - 2 TVS45-2-2 - 1 - 8L		34	22	TCB - 2P - 1 - 5.5 - 380						
TBS - 2 TVS45-2 - 1 - 8L		42	31	TCB - 2P - 1 - 7.5 - 380						
TBS - 2 TVS45-3-2 - 1 - 8L		56.5	40							
TBS - 2 TVS45-3 - 1 - 8L		64	47.5	TCB - 2P - 1 - 11.0 - 380						

TOZEN Booster System

TBS - 3 TVS0-0 - 1 - 18L



TVS1

Model	Head	System Flow (m ³ /hr)		Control Box Code	Pressure Tank		Header Pipe Size (mm)	Product Dimension		
		2.4	6		Volume (literxbar)	Ø x H (mm)		L	W	H
TBS - 3 TVS1-2 - 1 - 18L	H(m)	12	10	TCB - 3P - 1 - 0.37 - 380	18x10	385x280	25-3-40	1750	1100	1250
TBS - 3 TVS1-3 - 1 - 18L		18	14							
TBS - 3 TVS1-4 - 1 - 18L		24	18							
TBS - 3 TVS1-5 - 1 - 18L		30	22							
TBS - 3 TVS1-6 - 1 - 18L		35	25							
TBS - 3 TVS1-7 - 1 - 18L		41	30							
TBS - 3 TVS1-8 - 1 - 18L		47	34	TCB - 3P - 1 - 0.55 - 380						
TBS - 3 TVS1-9 - 1 - 18L		53	37							
TBS - 3 TVS1-10 - 1 - 18L		58	41							
TBS - 3 TVS1-11 - 1 - 18L		64	45	TCB - 3P - 1 - 0.75 - 380						
TBS - 3 TVS1-12 - 1 - 18L		71	50							
TBS - 3 TVS1-13 - 1 - 18L		77	54							

TVS3

Model	Head	System Flow (m ³ /hr)		Control Box Code	Pressure Tank		Header Pipe Size (mm)	Product Dimension		
		4.8	12		Volume (literxbar)	Ø x H (mm)		L	W	H
TBS - 3 TVS3-2 - 1 - 18L	H(m)	12	7.5	TCB - 3P - 1 - 0.55 - 380	18x10	385x280	25-3-50	1750	1100	1250
TBS - 3 TVS3-3 - 1 - 18L		19	12							
TBS - 3 TVS3-4 - 1 - 18L		24	14							
TBS - 3 TVS3-5 - 1 - 18L		31	17	TCB - 3P - 1 - 0.55 - 380						
TBS - 3 TVS3-6 - 1 - 18L		37	21							
TBS - 3 TVS3-7 - 1 - 18L		43	24							
TBS - 3 TVS3-8 - 1 - 18L		51	28	TCB - 3P - 1 - 0.75 - 380						
TBS - 3 TVS3-9 - 1 - 18L		56	30							
TBS - 3 TVS3-10 - 1 - 18L		62	33							

TVS5

Model	Head	System Flow (m ³ /hr)		Control Box Code	Pressure Tank		Header Pipe Size (mm)	Product Dimension		
		12	21		Volume (literxbar)	Ø x H (mm)		L	W	H
TBS - 3 TVS5-2 - 1 - 18L	H(m)	10	6	TCB - 3P - 1 - 0.37 - 380	18x10	385x280	32-3-65	1750	1200	1250
TBS - 3 TVS5-3 - 1 - 18L		16	10	TCB - 3P - 1 - 0.55 - 380						
TBS - 3 TVS5-4 - 1 - 18L		22	14	TCB - 3P - 1 - 0.75 - 380						
TBS - 3 TVS5-5 - 1 - 18L		28	18							
TBS - 3 TVS5-6 - 1 - 18L		34	23							
TBS - 3 TVS5-7 - 1 - 18L		40	17	TCB - 3P - 1 - 1.5 - 380						
TBS - 3 TVS5-8 - 1 - 18L		45	31							
TBS - 3 TVS5-9 - 1 - 18L		53	37							
TBS - 3 TVS5-10 - 1 - 18L		59	41	TCB - 3P - 1 - 1.5 - 380						
TBS - 3 TVS5-11 - 1 - 18L		66	47							
TBS - 3 TVS5-12 - 1 - 18L		72	51							

TVS10

Model	Head	System Flow (m ³ /hr)		Control Box Code	Pressure Tank		Header Pipe Size (mm)	Product Dimension		
		18	36		Volume (literxbar)	Ø x H (mm)		L	W	H
TBS - 3 TVS10-1 - 1 - 18L	H(m)	9	5	TCB - 3P - 1 - 0.37 - 380	18x10	385x280	40-3-80	1750	1200	1250
TBS - 3 TVS10-2 - 1 - 18L		19	12	TCB - 3P - 1 - 0.75 - 380						
TBS - 3 TVS10-3 - 1 - 18L		29	18	TCB - 3P - 1 - 1.1 - 380						
TBS - 3 TVS10-4 - 1 - 18L		40	26	TCB - 3P - 1 - 1.5 - 380						
TBS - 3 TVS10-5 - 1 - 18L		50	33	TCB - 3P - 1 - 2.2 - 380						
TBS - 3 TVS10-6 - 1 - 18L		59	39							
TBS - 3 TVS10-7 - 1 - 18L		70	46	TCB - 3P - 1 - 3.0 - 380						
TBS - 3 TVS10-8 - 1 - 18L		80	53							
TBS - 3 TVS10-9 - 1 - 18L		89	59							
TBS - 3 TVS10-10 - 1 - 18L		100	66	TCB - 3P - 1 - 4.0 - 380						
TBS - 3 TVS10-12 - 1 - 18L		119	79							

TVS15

Model	Head	System Flow (m ³ /hr)		Control Box Code	Pressure Tank		Header Pipe Size (mm)	Product Dimension		
		36	63		Volume (literxbar)	Ø x H (mm)		L	W	H
TBS - 3 TVS15-1 - 1 - 18L	H(m)	12	9	TCB - 3P - 1 - 1.1 - 380	18x10	385x280	50-3-100	1750	1200	1250
TBS - 3 TVS15-2 - 1 - 18L		25	18	TCB - 3P - 1 - 2.2 - 380						
TBS - 3 TVS15-3 - 1 - 18L		38	28	TCB - 3P - 1 - 3.0 - 380						
TBS - 3 TVS15-4 - 1 - 18L		51	38	TCB - 3P - 1 - 4.0 - 380						
TBS - 3 TVS15-5 - 1 - 18L		64	48							
TBS - 3 TVS15-6 - 1 - 18L		77	58	TCB - 3P - 1 - 5.5 - 380						

TVS20

Model	Head	System Flow (m ³ /hr)		Control Box Code	Pressure Tank		Header Pipe Size (mm)	Product Dimension		
		48	84		Volume (literxbar)	Ø x H (mm)		L	W	H
TBS - 3 TVS20-1 - 1 - 18L	H(m)	12	6.5	TCB - 3P - 1 - 1.1 - 380	18x10	385x280	50-3-125	1750	1300	1250
TBS - 3 TVS20-2 - 1 - 18L		25	15	TCB - 3P - 1 - 2.2 - 380						
TBS - 3 TVS20-3 - 1 - 18L		39	23	TCB - 3P - 1 - 4.0 - 380						
TBS - 3 TVS20-4 - 1 - 18L		53	32	TCB - 3P - 1 - 5.5 - 380						
TBS - 3 TVS20-5 - 1 - 18L		66	40							
TBS - 3 TVS20-6 - 1 - 18L		80	49	TCB - 3P - 1 - 7.5 - 380						

TVS32

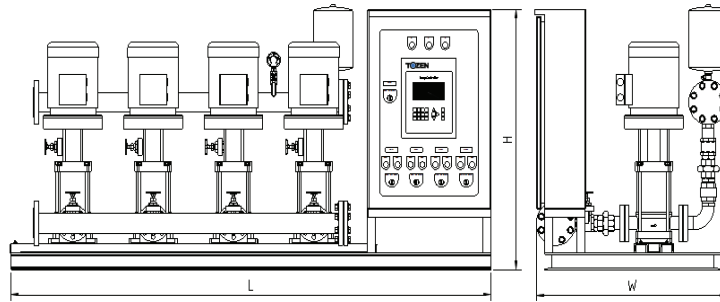
Model	Head	System Flow (m ³ /hr)		Control Box Code	Pressure Tank		Header Pipe Size (mm)	Product Dimension		
		75	120		Volume (literxbar)	Ø x H (mm)		L	W	H
TBS - 3 TVS32-1-1 - 1 - 18L	H(m)	13	5	TCB - 3P - 1 - 1.5 - 380	18x10	385x280	65-3-150	1750	1300	1250
TBS - 3 TVS32-1 - 1 - 18L		16	9	TCB - 3P - 1 - 2.2 - 380						
TBS - 3 TVS32-2-2 - 1 - 18L		26.5	12	TCB - 3P - 1 - 3.0 - 380						
TBS - 3 TVS32-2 - 1 - 18L		32.5	19.5	TCB - 3P - 1 - 4.0 - 380						
TBS - 3 TVS32-3-2 - 1 - 18L		43.5	22.5	TCB - 3P - 1 - 5.5 - 380						
TBS - 3 TVS32-3 - 1 - 18L		49	29.5							
TBS - 3 TVS32-4-2 - 1 - 18L		60	32.5	TCB - 3P - 1 - 7.5 - 380						
TBS - 3 TVS32-4 - 1 - 18L		66	40							

TVS45

Model	Head	System Flow (m ³ /hr)		Control Box Code	Pressure Tank		Header Pipe Size (mm)	Product Dimension		
		120	165		Volume (literxbar)	Ø x H (mm)		L	W	H
TBS - 3 TVS45-1-1 - 1 - 18L	H(m)	17	10.5	TCB - 3P - 1 - 3.0 - 380	18x10	385x280	80-3-200	1960	1500	1250
TBS - 3 TVS45-1 - 1 - 18L		20.5	15	TCB - 3P - 1 - 4.0 - 380						
TBS - 3 TVS45-2-2 - 1 - 18L		34	22	TCB - 3P - 1 - 5.5 - 380						
TBS - 3 TVS45-2 - 1 - 18L		42	31	TCB - 3P - 1 - 7.5 - 380						
TBS - 3 TVS45-3-2 - 1 - 18L		56.5	40	TCB - 3P - 1 - 11.0 - 380						
TBS - 3 TVS45-3 - 1 - 18L		64	47.5							

TOZEN Booster System

TBS - 4 TVS0-0 - 1 - 18L



TVS1

Model	Head	System Flow (m ³ /hr)		Control Box Code	Pressure Tank		Header Pipe Size (mm)	Product Dimension		
		2.4	6		Volume (literxbar)	Ø x H (mm)		L	W	H
TBS - 4 TVS1-2 - 1 - 18L	H(m)	12	10	TCB - 4P - 1 - 0.37 - 380	18x10	385x280	25-4-40	2160	1100	1250
TBS - 4 TVS1-3 - 1 - 18L		18	14							
TBS - 4 TVS1-4 - 1 - 18L		24	18							
TBS - 4 TVS1-5 - 1 - 18L		30	22							
TBS - 4 TVS1-6 - 1 - 18L		35	25							
TBS - 4 TVS1-7 - 1 - 18L		41	30							
TBS - 4 TVS1-8 - 1 - 18L		47	34	TCB - 4P - 1 - 0.55 - 380						
TBS - 4 TVS1-9 - 1 - 18L		53	37							
TBS - 4 TVS1-10 - 1 - 18L		58	41							
TBS - 4 TVS1-11 - 1 - 18L		64	45	TCB - 4P - 1 - 0.75 - 380						
TBS - 4 TVS1-12 - 1 - 18L		71	50							
TBS - 4 TVS1-13 - 1 - 18L		77	54							

TVS3

Model	Head	System Flow (m ³ /hr)		Control Box Code	Pressure Tank		Header Pipe Size (mm)	Product Dimension		
		4.8	12		Volume (literxbar)	Ø x H (mm)		L	W	H
TBS - 4 TVS3-2 - 1 - 18L	H(m)	12	7.5	TCB - 4P - 1 - 0.37 - 380	18x10	385x280	25-4-50	2160	1100	1250
TBS - 4 TVS3-3 - 1 - 18L		19	12							
TBS - 4 TVS3-4 - 1 - 18L		24	14							
TBS - 4 TVS3-5 - 1 - 18L		31	17							
TBS - 4 TVS3-6 - 1 - 18L		37	21	TCB - 4P - 1 - 0.55 - 380						
TBS - 4 TVS3-7 - 1 - 18L		43	24							
TBS - 4 TVS3-8 - 1 - 18L		51	28	TCB - 4P - 1 - 0.75 - 380						
TBS - 4 TVS3-9 - 1 - 18L		56	30							
TBS - 4 TVS3-10 - 1 - 18L		62	33							

TVS5

Model	Head	System Flow (m ³ /hr)		Control Box Code	Pressure Tank		Header Pipe Size (mm)	Product Dimension		
		12	21		Volume (literxbar)	Ø x H (mm)		L	W	H
TBS - 4 TVS5-2 - 1 - 18L	H(m)	10	6	TCB - 4P - 1 - 0.37 - 380	18x10	385x280	32-4-65	2160	1200	1250
TBS - 4 TVS5-3 - 1 - 18L		16	10	TCB - 4P - 1 - 0.55 - 380						
TBS - 4 TVS5-4 - 1 - 18L		22	14	TCB - 4P - 1 - 0.75 - 380						
TBS - 4 TVS5-5 - 1 - 18L		28	18							
TBS - 4 TVS5-6 - 1 - 18L		34	23							
TBS - 4 TVS5-7 - 1 - 18L		40	17	TCB - 4P - 1 - 1.1 - 380						
TBS - 4 TVS5-8 - 1 - 18L		45	31							
TBS - 4 TVS5-9 - 1 - 18L		53	37	TCB - 4P - 1 - 1.5 - 380						
TBS - 4 TVS5-10 - 1 - 18L		59	41							
TBS - 4 TVS5-11 - 1 - 18L		66	47	TCB - 4P - 1 - 2.2 - 380						
TBS - 4 TVS5-12 - 1 - 18L		72	51							

TVS10

Model	Head	System Flow (m ³ /hr)		Control Box Code	Pressure Tank		Header Pipe Size (mm)	Product Dimension		
		18	36		Volume (literxbar)	Ø x H (mm)		L	W	H
TBS - 4 TVS10-1 - 1 - 18L	H(m)	9	5	TCB - 4P - 1 - 0.37 - 380	18x10	385x280	40-4-80	2160	1200	1250
TBS - 4 TVS10-2 - 1 - 18L		19	12	TCB - 4P - 1 - 0.75 - 380						
TBS - 4 TVS10-3 - 1 - 18L		29	18	TCB - 4P - 1 - 1.1 - 380						
TBS - 4 TVS10-4 - 1 - 18L		40	26	TCB - 4P - 1 - 1.5 - 380						
TBS - 4 TVS10-5 - 1 - 18L		50	33	TCB - 4P - 1 - 2.2 - 380						
TBS - 4 TVS10-6 - 1 - 18L		59	39							
TBS - 4 TVS10-7 - 1 - 18L		70	46	TCB - 4P - 1 - 3.0 - 380						
TBS - 4 TVS10-8 - 1 - 18L		80	53							
TBS - 4 TVS10-9 - 1 - 18L		89	59							
TBS - 4 TVS10-10 - 1 - 18L		100	66	TCB - 4P - 1 - 4.0 - 380						
TBS - 4 TVS10-12 - 1 - 18L		119	79							

TVS15

Model	Head	System Flow (m ³ /hr)		Control Box Code	Pressure Tank		Header Pipe Size (mm)	Product Dimension		
		36	63		Volume (literxbar)	Ø x H (mm)		L	W	H
TBS - 4 TVS15-1 - 1 - 18L	H(m)	12	9	TCB - 4P - 1 - 1.1 - 380	18x10	385x280	50-4-100	2160	1200	1250
TBS - 4 TVS15-2 - 1 - 18L		25	18	TCB - 4P - 1 - 2.2 - 380						
TBS - 4 TVS15-3 - 1 - 18L		38	28	TCB - 4P - 1 - 3.0 - 380						
TBS - 4 TVS15-4 - 1 - 18L		51	38	TCB - 4P - 1 - 4.0 - 380						
TBS - 4 TVS15-5 - 1 - 18L		64	48							
TBS - 4 TVS15-6 - 1 - 18L		77	58	TCB - 4P - 1 - 5.5 - 380						

TVS20

Model	Head	System Flow (m ³ /hr)		Control Box Code	Pressure Tank		Header Pipe Size (mm)	Product Dimension		
		48	84		Volume (literxbar)	Ø x H (mm)		L	W	H
TBS - 4 TVS20-1 - 1 - 18L	H(m)	12	6.5	TCB - 4P - 1 - 1.1 - 380	18x10	385x280	50-4-125	2160	1300	1250
TBS - 4 TVS20-2 - 1 - 18L		25	15	TCB - 4P - 1 - 2.2 - 380						
TBS - 4 TVS20-3 - 1 - 18L		39	23	TCB - 4P - 1 - 4.0 - 380						
TBS - 4 TVS20-4 - 1 - 18L		53	32	TCB - 4P - 1 - 5.5 - 380						
TBS - 4 TVS20-5 - 1 - 18L		66	40							
TBS - 4 TVS20-6 - 1 - 18L		80	49	TCB - 4P - 1 - 7.5 - 380						

TVS32

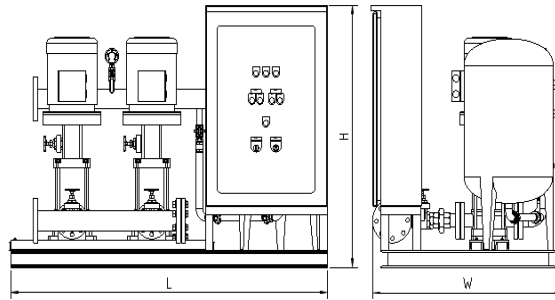
Model	Head	System Flow (m ³ /hr)		Control Box Code	Pressure Tank		Header Pipe Size (mm)	Product Dimension		
		75	120		Volume (literxbar)	Ø x H (mm)		L	W	H
TBS - 4 TVS32-1-1 - 1 - 18L	H(m)	13	5	TCB - 4P - 1 - 1.5 - 380	18x10	385x280	65-4-150	2160	1300	1250
TBS - 4 TVS32-1 - 1 - 18L		16	9	TCB - 4P - 1 - 2.2 - 380						
TBS - 4 TVS32-2-2 - 1 - 18L		26.5	12	TCB - 4P - 1 - 3.0 - 380						
TBS - 4 TVS32-2 - 1 - 18L		32.5	19.5	TCB - 4P - 1 - 4.0 - 380						
TBS - 4 TVS32-3-2 - 1 - 18L		43.5	22.5	TCB - 4P - 1 - 5.5 - 380						
TBS - 4 TVS32-3 - 1 - 18L		49	29.5							
TBS - 4 TVS32-4-2 - 1 - 18L		60	32.5	TCB - 4P - 1 - 7.5 - 380						
TBS - 4 TVS32-4 - 1 - 18L		66	40							

TVS45

Model	Head	System Flow (m ³ /hr)		Control Box Code	Pressure Tank		Header Pipe Size (mm)	Product Dimension		
		120	165		Volume (literxbar)	Ø x H (mm)		L	W	H
TBS - 4 TVS45-1-1 - 1 - 18L	H(m)	17	10.5	TCB - 4P - 1 - 3.0 - 380	18x10	385x280	80-4-200	2370	1500	1250
TBS - 4 TVS45-1 - 1 - 18L		20.5	15	TCB - 4P - 1 - 4.0 - 380						
TBS - 4 TVS45-2-2 - 1 - 18L		34	22	TCB - 4P - 1 - 5.5 - 380						
TBS - 4 TVS45-2 - 1 - 18L		42	31	TCB - 4P - 1 - 7.5 - 380						
TBS - 4 TVS45-3-2 - 1 - 18L		56.5	40	TCB - 4P - 1 - 11.0 - 380						
TBS - 4 TVS45-3 - 1 - 18L		64	47.5							

TOZEN Booster System

TBS - 2 TVS0-0 - 2 - 0L



TVS1

Model	Head	System Flow (m ³ /hr)		Control Box Code	Pressure Tank		Header Pipe Size (mm)	Product Dimension		
		1.6	4		Volume (literxbar)	Ø x H (mm)		L	W	H
TBS - 2 TVS1-2 - 2 - 60L	H(m)	12	10	TCB - 2P - 2 - 0.37 - 380	60x10	365x730	25-2-40	1450	1100	1250
TBS - 2 TVS1-3 - 2 - 60L		18	14							
TBS - 2 TVS1-4 - 2 - 60L		24	18							
TBS - 2 TVS1-5 - 2 - 60L		30	22							
TBS - 2 TVS1-6 - 2 - 60L		35	25							
TBS - 2 TVS1-7 - 2 - 60L		41	30							
TBS - 2 TVS1-8 - 2 - 60L		47	34	TCB - 2P - 2 - 0.55 - 380						
TBS - 2 TVS1-9 - 2 - 60L		53	37							
TBS - 2 TVS1-10 - 2 - 60L		58	41							
TBS - 2 TVS1-11 - 2 - 60L		64	45	TCB - 2P - 2 - 0.75 - 380						
TBS - 2 TVS1-12 - 2 - 60L		71	50							
TBS - 2 TVS1-13 - 2 - 60L		77	54							

TVS3

Model	Head	System Flow (m ³ /hr)		Control Box Code	Pressure Tank		Header Pipe Size (mm)	Product Dimension		
		3.2	8		Volume (literxbar)	Ø x H (mm)		L	W	H
TBS - 2 TVS3-2 - 2 - 100L	H(m)	12	7.5	TCB - 2P - 2 - 0.37 - 380	100x10	460x950	25-2-50	1450	1100	1250
TBS - 2 TVS3-3 - 2 - 100L		19	12							
TBS - 2 TVS3-4 - 2 - 100L		24	14							
TBS - 2 TVS3-5 - 2 - 100L		31	17							
TBS - 2 TVS3-6 - 2 - 100L		37	21	TCB - 2P - 2 - 0.55 - 380						
TBS - 2 TVS3-7 - 2 - 100L		43	24							
TBS - 2 TVS3-8 - 2 - 100L		51	28							
TBS - 2 TVS3-9 - 2 - 100L		56	30	TCB - 2P - 2 - 0.55 - 380						
TBS - 2 TVS3-10 - 2 - 100L		62	33							

TVS5

Model	Head	System Flow (m ³ /hr)		Control Box Code	Pressure Tank		Header Pipe Size (mm)	Product Dimension		
		8	14		Volume (literxbar)	Ø x H (mm)		L	W	H
TBS - 2 TVS5-2 - 2 - 100L	H(m)	10	6	TCB - 2P - 2 - 0.37 - 380	100x10	460x950	32-2-65	1450	1200	1250
TBS - 2 TVS5-3 - 2 - 100L		16	10	TCB - 2P - 2 - 0.55 - 380						
TBS - 2 TVS5-4 - 2 - 100L		22	14	TCB - 2P - 2 - 0.75 - 380						
TBS - 2 TVS5-5 - 2 - 100L		28	18	TCB - 2P - 2 - 1.1 - 380						
TBS - 2 TVS5-6 - 2 - 100L		34	23							
TBS - 2 TVS5-7 - 2 - 100L		40	17							
TBS - 2 TVS5-8 - 2 - 100L		45	31	TCB - 2P - 2 - 1.5 - 380						
TBS - 2 TVS5-9 - 2 - 100L		53	37							
TBS - 2 TVS5-10 - 2 - 100L		59	41	TCB - 2P - 2 - 2.2 - 380						
TBS - 2 TVS5-11 - 2 - 100L		66	47							
TBS - 2 TVS5-12 - 2 - 100L		72	51							

TVS10

Model	Head	System Flow (m ³ /hr)		Control Box Code	Pressure Tank		Header Pipe Size (mm)	Product Dimension		
		12	24		Volume (literxbar)	Ø x H (mm)		L	W	H
TBS - 2 TVS10-1 - 2 - 100L	H(m)	9	5	TCB - 2P - 2 - 0.37 - 380	100x10	460x950	40-2-80	1450	1200	1250
TBS - 2 TVS10-2 - 2 - 100L		19	12	TCB - 2P - 2 - 0.75 - 380						
TBS - 2 TVS10-3 - 2 - 100L		29	18	TCB - 2P - 2 - 1.1 - 380						
TBS - 2 TVS10-4 - 2 - 100L		40	26	TCB - 2P - 2 - 1.5 - 380						
TBS - 2 TVS10-5 - 2 - 100L		50	33	TCB - 2P - 2 - 2.2 - 380						
TBS - 2 TVS10-6 - 2 - 100L		59	39							
TBS - 2 TVS10-7 - 2 - 100L		70	46	TCB - 2P - 2 - 3.0 - 380						
TBS - 2 TVS10-8 - 2 - 100L		80	53							
TBS - 2 TVS10-9 - 2 - 100L		89	59	TCB - 2P - 2 - 4.0 - 380						
TBS - 2 TVS10-10 - 2 - 100L		100	66							
TBS - 2 TVS10-12 - 2 - 100L		119	79							

TVS15

Model	Head	System Flow (m ³ /hr)		Control Box Code	Pressure Tank		Header Pipe Size (mm)	Product Dimension		
		24	42		Volume (literxbar)	Ø x H (mm)		L	W	H
TBS - 2 TVS15-1 - 2 - 200L	H(m)	12	9	TCB - 2P - 2 - 1.1 - 380	200x10	585x1,215	50-2-100	1450	1200	1250
TBS - 2 TVS15-2 - 2 - 200L		25	18	TCB - 2P - 2 - 2.2 - 380						
TBS - 2 TVS15-3 - 2 - 200L		38	28	TCB - 2P - 2 - 3.0 - 380						
TBS - 2 TVS15-4 - 2 - 200L		51	38	TCB - 2P - 2 - 4.0 - 380						
TBS - 2 TVS15-5 - 2 - 200L		64	48							
TBS - 2 TVS15-6 - 2 - 200L		77	58	TCB - 2P - 2 - 5.5 - 380						

TVS20

Model	Head	System Flow (m ³ /hr)		Control Box Code	Pressure Tank		Header Pipe Size (mm)	Product Dimension		
		32	56		Volume (literxbar)	Ø x H (mm)		L	W	H
TBS - 2 TVS20-1 - 2 - 200L	H(m)	12	6.5	TCB - 2P - 2 - 1.1 - 380	200x10	585x1,215	50-2-125	1450	1300	1250
TBS - 2 TVS20-2 - 2 - 200L		25	15	TCB - 2P - 2 - 2.2 - 380						
TBS - 2 TVS20-3 - 2 - 200L		39	23	TCB - 2P - 2 - 4.0 - 380						
TBS - 2 TVS20-4 - 2 - 200L		53	32	TCB - 2P - 2 - 5.5 - 380						
TBS - 2 TVS20-5 - 2 - 200L		66	40							
TBS - 2 TVS20-6 - 2 - 200L		80	49	TCB - 2P - 2 - 7.5 - 380						

TVS32

Model	Head	System Flow (m ³ /hr)		Control Box Code	Pressure Tank		Header Pipe Size (mm)	Product Dimension		
		50	80		Volume (literxbar)	Ø x H (mm)		L	W	H
TBS - 2 TVS32-1-1 - 2 - 300L	H(m)	13	5	TCB - 2P - 2 - 1.5 - 380	300x10	640x1,390	65-2-150	1450	1300	1250
TBS - 2 TVS32-1 - 2 - 300L		16	9	TCB - 2P - 2 - 2.2 - 380						
TBS - 2 TVS32-2-2 - 2 - 300L		26.5	12	TCB - 2P - 2 - 3.0 - 380						
TBS - 2 TVS32-2 - 2 - 300L		32.5	19.5	TCB - 2P - 2 - 4.0 - 380						
TBS - 2 TVS32-3-2 - 2 - 300L		43.5	22.5	TCB - 2P - 2 - 5.5 - 380						
TBS - 2 TVS32-3 - 2 - 300L		49	29.5							
TBS - 2 TVS32-4-2 - 2 - 300L		60	32.5	TCB - 2P - 2 - 7.5 - 380						
TBS - 2 TVS32-4 - 2 - 300L		66	40							

TVS45

Model	Head	System Flow (m ³ /hr)		Control Box Code	Pressure Tank		Header Pipe Size (mm)	Product Dimension		
		80	110		Volume (literxbar)	Ø x H (mm)		L	W	H
TBS - 2 TVS45-1-1 - 2 - 300L	H(m)	17	10.5	TCB - 2P - 2 - 3.0 - 380	300x10	640x1,390	80-2-200	1560	1400	1250
TBS - 2 TVS45-1 - 2 - 300L		20.5	15	TCB - 2P - 2 - 4.0 - 380						
TBS - 2 TVS45-2-2 - 2 - 500L		34	22	TCB - 2P - 2 - 5.5 - 380						
TBS - 2 TVS45-2 - 2 - 500L		42	31	TCB - 2P - 2 - 7.5 - 380	500x10	750x1,550				
TBS - 2 TVS45-3-2 - 2 - 500L		56.5	40	TCB - 2P - 2 - 11.0 - 380						
TBS - 2 TVS45-3 - 2 - 500L		64	47.5							



TOZEN INDUSTRIAL CO., LTD.

3388/62 18TH FLOOR, SIRINRAT BLDG.,
RAMA IV Rd., BANGKOK 10110 THAILAND
TEL : (66) 2-0290100
FAX : (66) 2-0290111
E-MAIL : sales@tt.tozen.com
URL : www.tozen.co.th

TOZEN CORPORATION

8-4, ASAHI YOSHIKAWA
SAITAMA 342-008 JAPAN
TEL : 048-993-1030
FAX : 048-993-1038